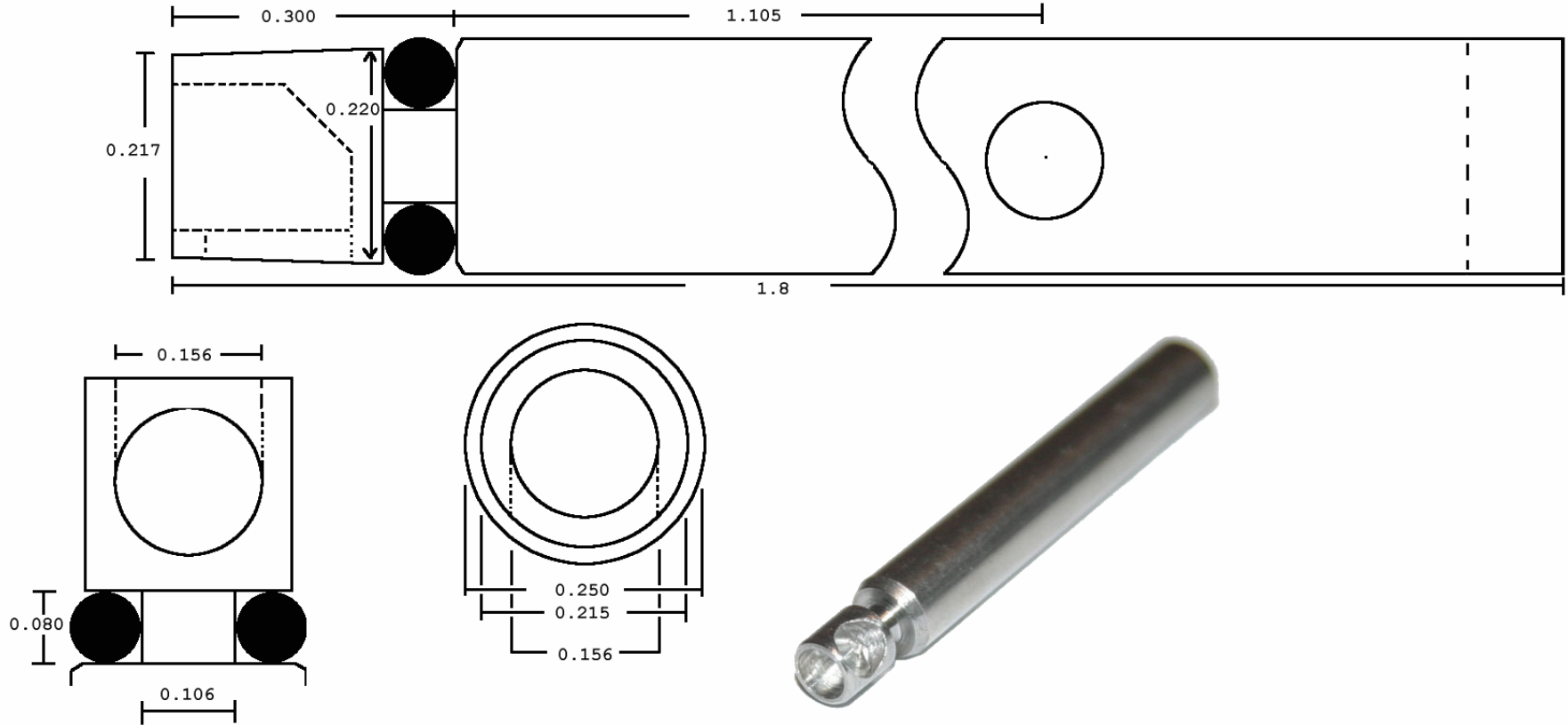


Hollow Bolt Design

To be machined from 1/4 inch round brass rod.

All measurements are to the nearest thousandth of an inch.

This is a pre-prototype drawing, sizes may change.



Drawing and measurements created by boogomatic™